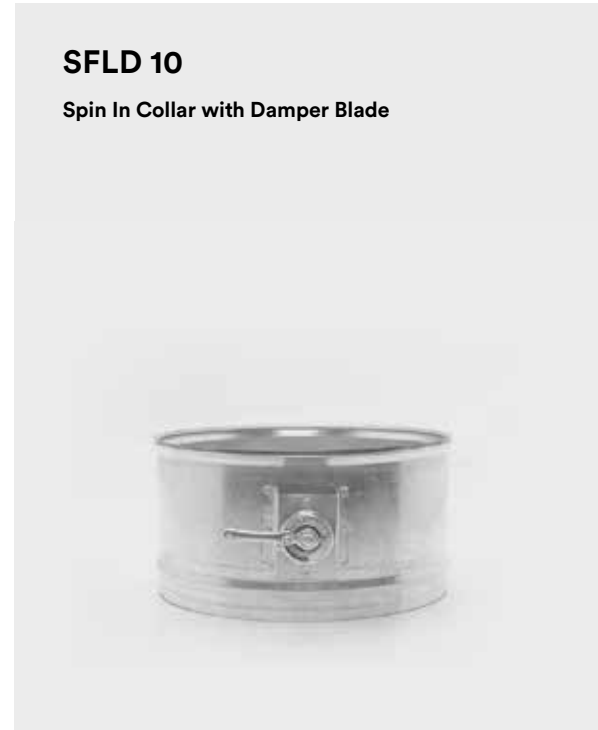


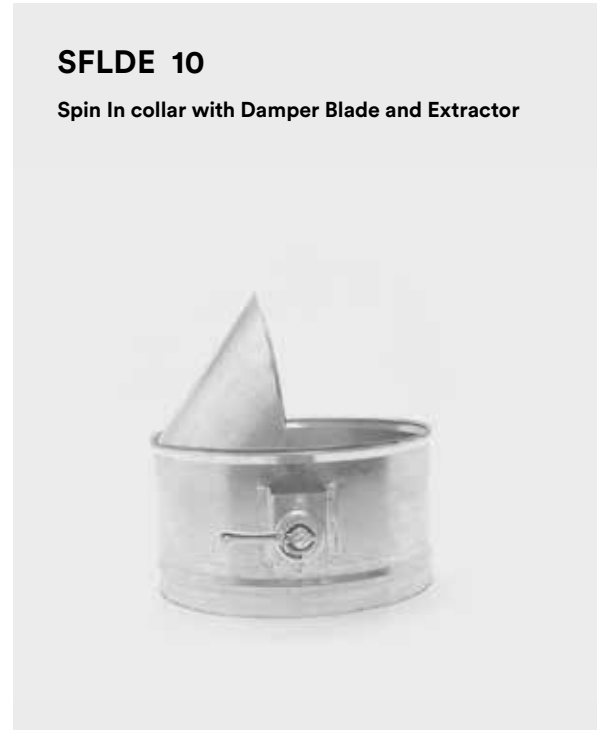


SPIN IN DAMPERS



SFLD 10

Spin In Collar with Damper Blade



SFLDE 10

Spin In collar with Damper Blade and Extractor

Description

Casing and blades made from galvanized steel sheet. Adjustable blade mounted with manually operated steel reinforced plastic handle and position indicator. The movement of the blade permits regulation from fully open to almost closed.

The Spin In damper is used as take off or branch connection.

Standard Construction

Frame:
Galvanized steel sheet (24 gauge).

Blades:
Plain galvanized steel sheet (20 gauge).
Galvanized steel perforated blade (optional).

Finish:
Mill galvanized.

Case Bearing:
Plastic bushing

Control Shaft:
6mm diameter zinc plated mild steel

Minimum and Maximum Size:
80mm Dia. damper up to 315mm Dia.

SFLD 11 & SFLDE 11

General construction as type SFLD 10 damper but blades, shafts and blade to shaft fixing in stainless steel (Grade 304).

SFLD 12 & SFLDE 12

General construction as type SFLD 10 damper but with frame, blades shafts and blade to shaft fixing all from stainless steel (Grade 304).

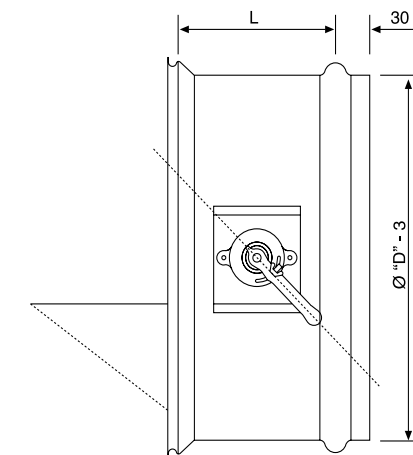
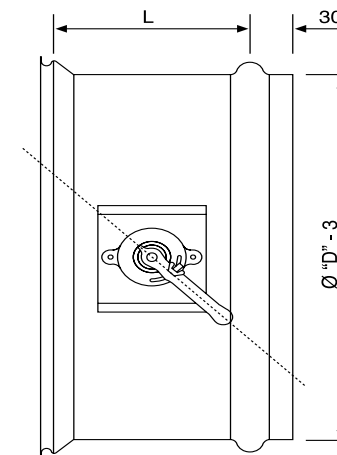
SFLD SERIES [SFLD 10, SFLDE 11, SFLD 12, SFLDE 12]

SFLD

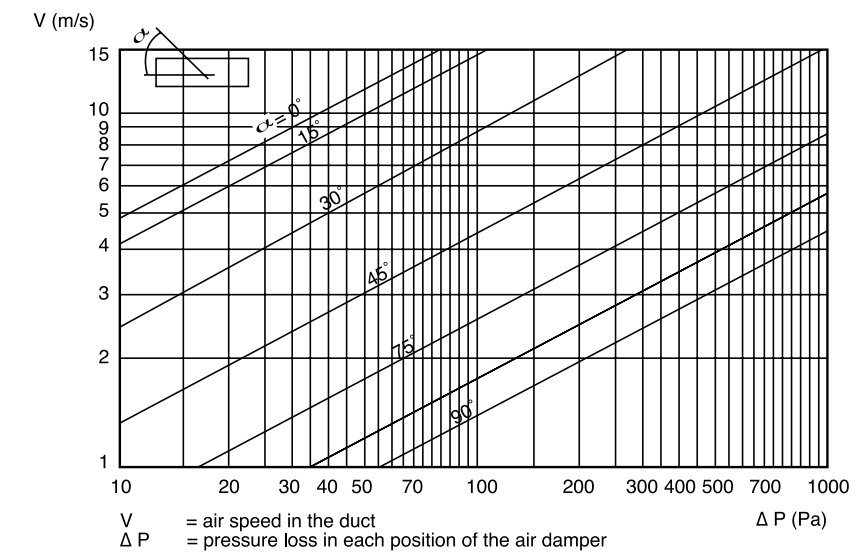
SFLDE

Spin Collar with Damper Blade

Spin In Collar with Damper Blade and Extractor

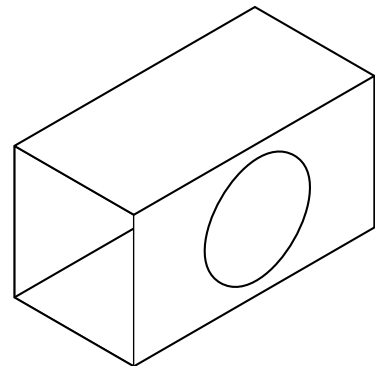


Pressure Loss for SFLD & SFLDE

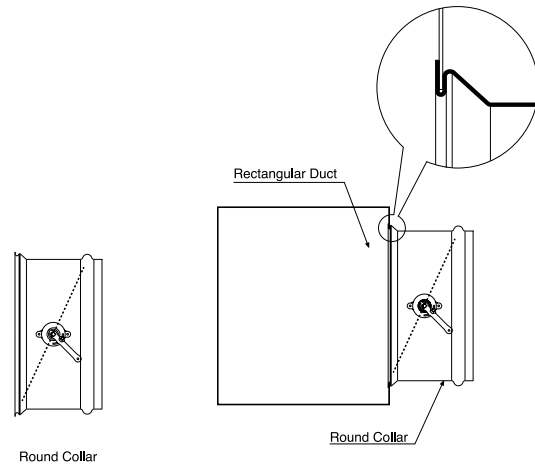


SFLD SERIES [SFLD 10, SFLDE 11, SFLD 12, SFLDE 12]

Installation Details



Rectangular Duct With Round Opening



Round Collar

Round Collar

Standard Sizes

Dia (mm)	Length (mm)
80	120
100	120
125	120
140	120
150	120
160	120
180	120
200	120
224	120
250	120
280	120
305	120
315	120

Order Reference Details

Order Example

